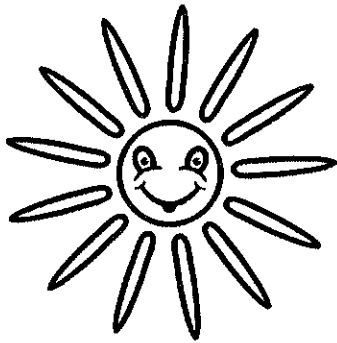


Grade 8



Summer Math 2024

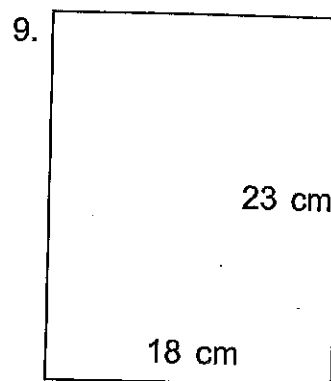
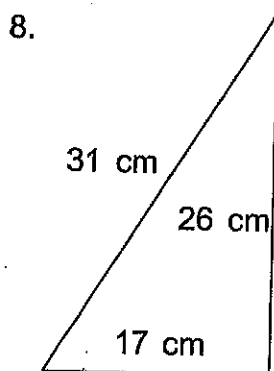
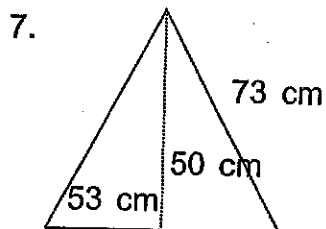
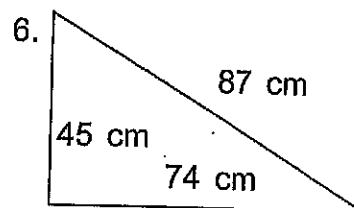
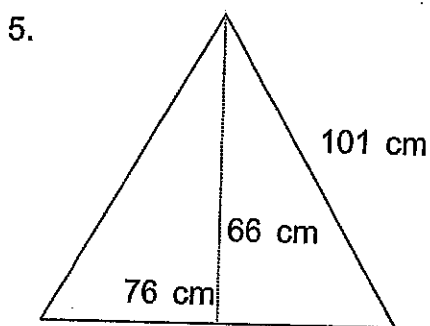
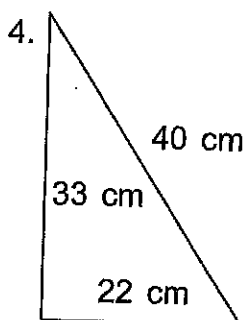
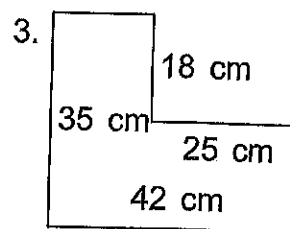
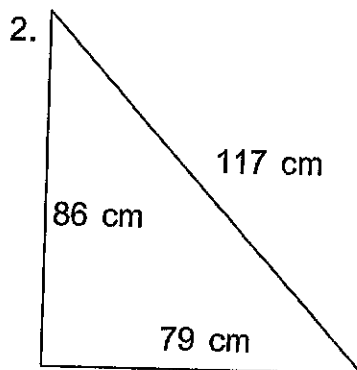
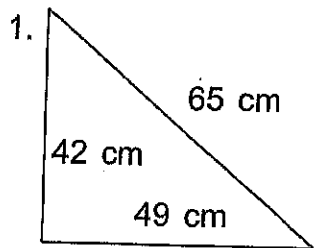
Name: _____

Name: _____

Class: _____

PERIMETER AND AREA

Find the perimeter and area.



Name: _____

Class: _____

ALGEBRA

Evaluate each expression when $y = 6$.

1. $7 - y =$ _____ 2. $y - 3 =$ _____ 3. $6 + y =$ _____ 4. $y + 2 =$ _____ 5. $y - 2 =$ _____
6. $y - 1 =$ _____ 7. $7 + y =$ _____ 8. $y + 8 =$ _____ 9. $3 + y =$ _____ 10. $y + 4 =$ _____

Evaluate each expression when $y = 4$.

11. $y + 5 =$ _____ 12. $y - 7 =$ _____ 13. $2 - y =$ _____ 14. $7 - y =$ _____ 15. $9 - y =$ _____
16. $y + 6 =$ _____ 17. $6 - y =$ _____ 18. $y - 5 =$ _____ 19. $y + 4 =$ _____ 20. $y + 9 =$ _____

Evaluate each expression when $y = 8$.

21. $y + 5 =$ _____ 22. $y - 8 =$ _____ 23. $2 - y =$ _____ 24. $6 - y =$ _____ 25. $y - 1 =$ _____
26. $y - 9 =$ _____ 27. $4 + y =$ _____ 28. $1 + y =$ _____ 29. $9 - y =$ _____ 30. $y + 4 =$ _____

Evaluate each expression when $y = 1$.

31. $y - 8 =$ _____ 32. $2 + y =$ _____ 33. $y - 2 =$ _____ 34. $y - 4 =$ _____ 35. $6 - y =$ _____ 36. $y - 6 =$ _____
37. $y - 5 =$ _____ 38. $4 + y =$ _____ 39. $y - 9 =$ _____ 40. $y - 3 =$ _____

Evaluate each expression when $y = 7$.

41. $y + 4 =$ _____ 42. $3 + y =$ _____ 43. $2 - y =$ _____ 44. $7 + y =$ _____ 45. $y + 2 =$ _____
46. $y + 1 =$ _____ 47. $4 - y =$ _____ 48. $y - 9 =$ _____ 49. $y + 9 =$ _____ 50. $y - 1 =$ _____

Evaluate each expression when $y = 3$.

51. $y - 7 =$ _____ 52. $6 + y =$ _____ 53. $9 + y =$ _____ 54. $y - 3 =$ _____ 55. $5 - y =$ _____
56. $y - 8 =$ _____ 57. $y - 9 =$ _____ 58. $9 - y =$ _____ 59. $y - 6 =$ _____ 60. $7 - y =$ _____

Evaluate each expression when $y = 4$.

61. $y + 1 =$ _____ 62. $1 + y =$ _____ 63. $y - 5 =$ _____ 64. $y - 1 =$ _____ 65. $y + 9 =$ _____
66. $y - 3 =$ _____ 67. $9 + y =$ _____ 68. $y + 5 =$ _____ 69. $2 - y =$ _____ 70. $y - 7 =$ _____

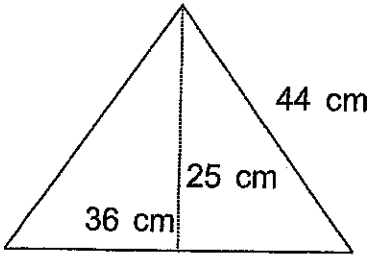
Name: _____

Class: _____

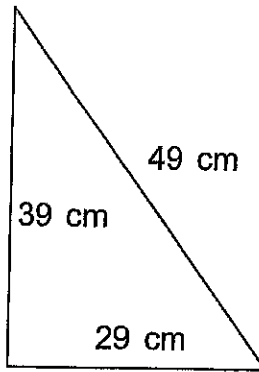
PERIMETER AND AREA

Find the perimeter and area.

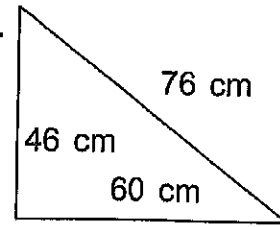
1.



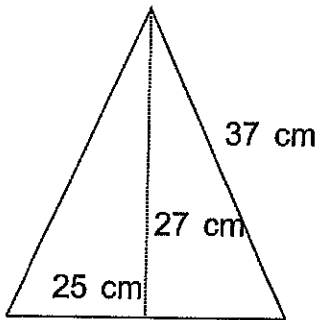
2.



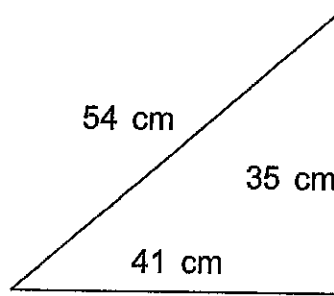
3.



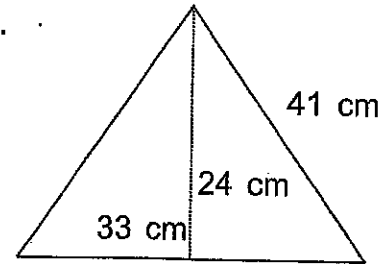
4.



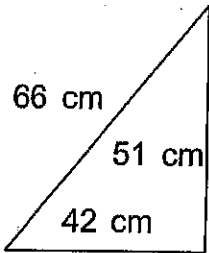
5.



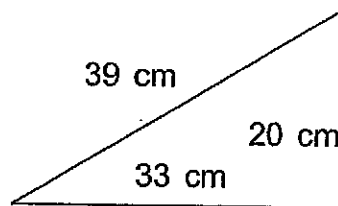
6.



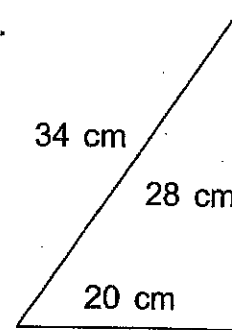
7.



8.



9.

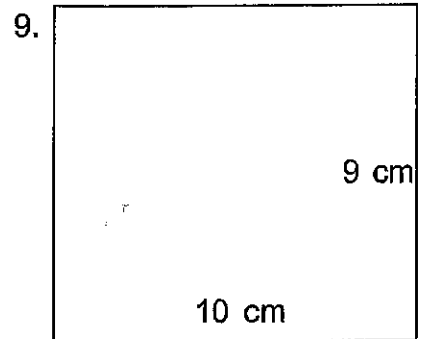
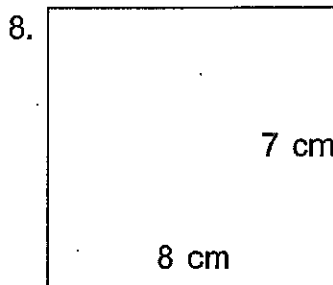
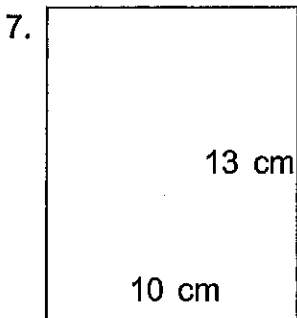
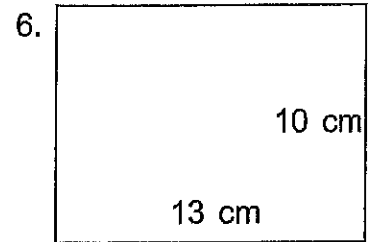
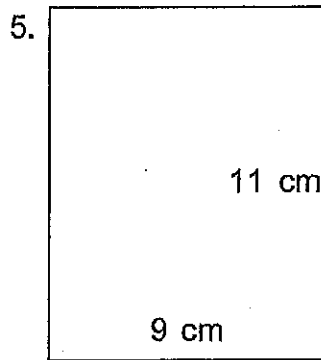
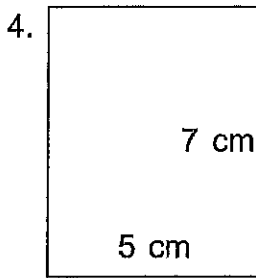
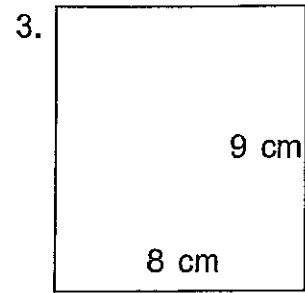
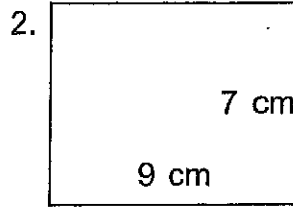
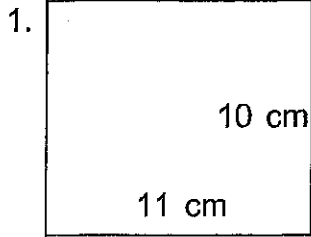


Name: _____

Class: _____

PERIMETER AND AREA

Find the perimeter and area.



Name: _____

Class: _____

ALGEBRA

Solve for the variable.

1. $0.1 = 0.09 \div y$ _____ 2. $0.56 \div y = 0.8$ _____ 3. $0.20 \div y = 0.4$ _____

4. $0.54 \div y = 0.6$ _____ 5. $y \div 0.4 = 0.1$ _____ 6. $0.7 = y \div 0.1$ _____

7. $y \div 0.4 = 0.4$ _____ 8. $0.8 = 0.64 \div y$ _____ 9. $0.8 = y \div 0.5$ _____

10. $0.3 = 0.03 \div y$ _____ 11. $0.9 = y \div 0.9$ _____ 12. $0.1 = 0.06 \div y$ _____

13. $0.9 = 0.63 \div y$ _____ 14. $y \div 0.8 = 0.9$ _____ 15. $0.5 = 0.45 \div y$ _____

16. $0.36 \div y = 0.9$ _____ 17. $0.27 \div y = 0.9$ _____ 18. $y \div 0.6 = 0.6$ _____

19. $y \div 0.4 = 0.6$ _____ 20. $0.9 = 0.72 \div y$ _____ 21. $0.05 \div y = 0.1$ _____

22. $0.3 = y \div 0.3$ _____ 23. $0.6 = y \div 0.3$ _____ 24. $y \div 0.1 = 0.4$ _____

25. $0.9 = y \div 0.7$ _____ 26. $0.45 \div y = 0.9$ _____ 27. $0.42 \div y = 0.6$ _____

28. $0.27 \div y = 0.3$ _____ 29. $y \div 0.1 = 0.1$ _____ 30. $0.04 \div y = 0.2$ _____

31. $0.6 = y \div 0.5$ _____ 32. $0.5 = y \div 0.3$ _____ 33. $0.5 = 0.15 \div y$ _____

34. $0.8 = y \div 0.6$ _____ 35. $0.4 = 0.28 \div y$ _____ 36. $0.8 = 0.16 \div y$ _____

37. $0.6 = 0.24 \div y$ _____ 38. $0.2 = 0.06 \div y$ _____ 39. $0.8 = 0.24 \div y$ _____

40. $0.2 = y \div 0.5$ _____ 41. $0.12 \div y = 0.2$ _____ 42. $y \div 0.3 = 0.7$ _____

43. $0.4 = 0.32 \div y$ _____ 44. $y \div 0.6 = 0.5$ _____ 45. $0.6 = 0.18 \div y$ _____

46. $0.4 = y \div 0.5$ _____ 47. $y \div 0.4 = 0.3$ _____ 48. $y \div 0.7 = 0.8$ _____

49. $0.9 = 0.09 \div y$ _____ 50. $0.7 = y \div 0.2$ _____ 51. $y \div 0.2 = 0.9$ _____

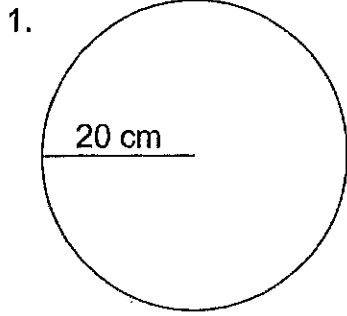
52. $0.08 \div y = 0.2$ _____ 53. $y \div 0.7 = 0.6$ _____ 54. $y \div 0.2 = 0.1$ _____

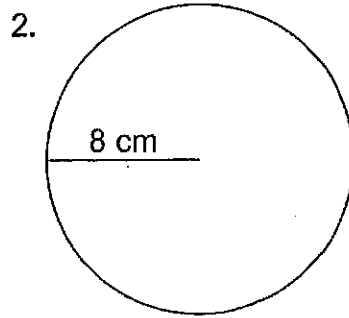
Name: _____

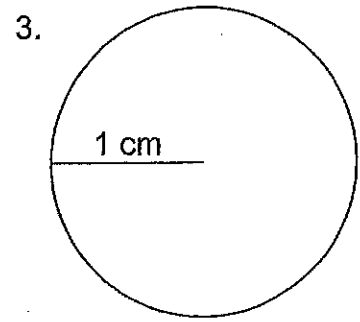
Class: _____

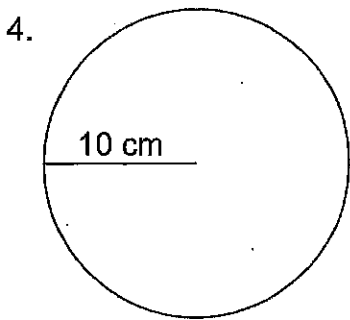
CIRCUMFERENCE AND AREA

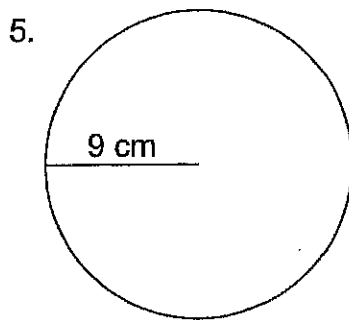
Calculate the circumference and area of each circle.

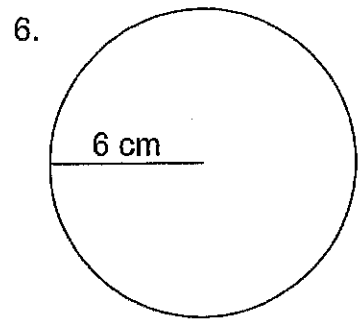


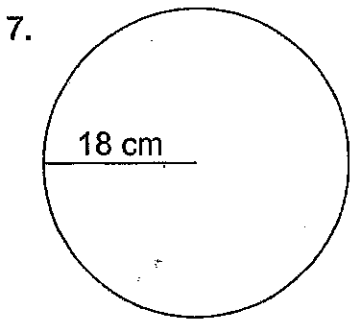


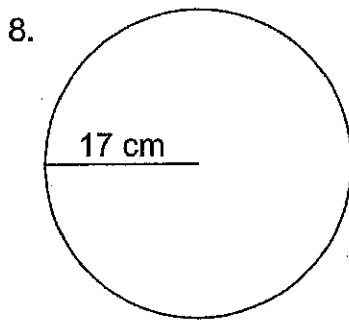


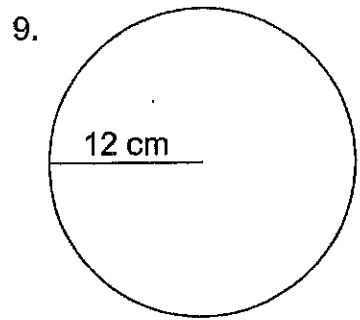












Name: _____

Class: _____

ALGEBRA

Solve for the variable.

1. $49 \div y = 7$ _____
2. $4 = y + 4$ _____
3. $y \div 3 = 8$ _____
4. $y + 8 = 5$ _____
5. $7 = y + 4$ _____
6. $5 = 35 \div y$ _____
7. $3 = 6 \div y$ _____
8. $8 = y + 1$ _____
9. $6 = 36 \div y$ _____
10. $2 = y + 6$ _____
11. $63 \div y = 7$ _____
12. $3 + y = 1$ _____
13. $9 = y + 1$ _____
14. $y + 7 = 5$ _____
15. $3 \div y = 3$ _____
16. $4 = y + 7$ _____
17. $42 \div y = 7$ _____
18. $4 = 36 \div y$ _____
19. $3 = y \div 8$ _____
20. $y + 6 = 1$ _____
21. $8 = 8 + y$ _____
22. $y + 2 = 6$ _____
23. $4 = 12 \div y$ _____
24. $y + 9 = 7$ _____
25. $y + 9 = 9$ _____
26. $30 \div y = 6$ _____
27. $y + 2 = 4$ _____
28. $y + 2 = 5$ _____
29. $6 = y + 8$ _____
30. $54 \div y = 6$ _____
31. $2 = y + 5$ _____
32. $5 + y = 5$ _____
33. $y + 2 = 9$ _____
34. $y + 1 = 4$ _____
35. $6 = y + 1$ _____
36. $2 = y \div 4$ _____
37. $9 = y + 3$ _____
38. $y \div 6 = 4$ _____
39. $8 = y + 9$ _____
40. $1 = 1 \div y$ _____
41. $2 = y + 1$ _____
42. $4 = y + 5$ _____
43. $y + 3 = 4$ _____
44. $3 = 9 \div y$ _____
45. $y + 7 = 3$ _____
46. $6 = 42 \div y$ _____
47. $y \div 4 = 5$ _____
48. $6 = y + 5$ _____
49. $1 = 7 + y$ _____
50. $y + 8 = 4$ _____
51. $2 = 2 \div y$ _____
52. $25 \div y = 5$ _____
53. $8 = 72 \div y$ _____
54. $8 = y \div 6$ _____
55. $6 = y + 4$ _____
56. $9 = 54 \div y$ _____
57. $5 \div y = 1$ _____
58. $36 \div y = 9$ _____
59. $y + 3 = 6$ _____
60. $y + 8 = 7$ _____
61. $2 = 16 \div y$ _____
62. $8 = y + 4$ _____
63. $6 = 18 \div y$ _____
64. $2 = y + 9$ _____
65. $7 = y \div 2$ _____
66. $16 \div y = 8$ _____
67. $15 \div y = 3$ _____
68. $40 \div y = 5$ _____
69. $56 \div y = 7$ _____
70. $45 \div y = 9$ _____
71. $8 = y \div 8$ _____
72. $1 = y \div 9$ _____

Name: _____

Class: _____

ALGEBRA

Solve for the variable.

1. $6 = y + 1$ _____ 2. $9 = y \div 7$ _____ 3. $4 = y + 6$ _____ 4. $8 = 16 \div y$ _____

5. $4 = 24 \div y$ _____ 6. $7 = y \div 6$ _____ 7. $5 = y + 1$ _____ 8. $4 = 20 \div y$ _____

9. $14 = 2 \times y$ _____ 10. $2 = y \div 5$ _____ 11. $5 = y + 3$ _____ 12. $1 = y + 4$ _____

13. $4 = 32 \div y$ _____ 14. $4 = y + 9$ _____ 15. $5 = 35 \div y$ _____ 16. $2 = y + 3$ _____

17. $18 = y \times 9$ _____ 18. $54 = 6 \times y$ _____ 19. $2 = 12 \div y$ _____ 20. $6 = y + 8$ _____

21. $5 = 25 \div y$ _____ 22. $2 = y \div 6$ _____ 23. $1 = 2 \div y$ _____ 24. $3 = y + 1$ _____

25. $7 = 56 \div y$ _____ 26. $7 = 35 \div y$ _____ 27. $64 = y \times 8$ _____ 28. $7 = 1 \times y$ _____

29. $15 = 5 \times y$ _____ 30. $81 = 9 \times y$ _____ 31. $45 = 5 \times y$ _____ 32. $40 = 8 \times y$ _____

33. $2 = 4 \div y$ _____ 34. $8 = 4 \times y$ _____ 35. $7 = 7 + y$ _____ 36. $20 = y \times 5$ _____

37. $30 = 5 \times y$ _____ 38. $4 = 28 \div y$ _____ 39. $7 = y + 8$ _____ 40. $3 = 9 + y$ _____

41. $9 = y + 1$ _____ 42. $7 = 28 \div y$ _____ 43. $3 = 3 \times y$ _____ 44. $8 = 1 \times y$ _____

45. $9 = 72 \div y$ _____ 46. $4 = y \div 1$ _____ 47. $9 = 9 + y$ _____ 48. $6 = y \times 2$ _____

49. $8 = y \times 2$ _____ 50. $45 = 9 \times y$ _____ 51. $18 = 6 \times y$ _____ 52. $8 = 72 \div y$ _____

53. $9 = 27 \div y$ _____ 54. $2 = y \times 2$ _____ 55. $49 = 7 \times y$ _____ 56. $12 = 4 \times y$ _____

57. $5 = y + 2$ _____ 58. $54 = 9 \times y$ _____ 59. $1 = y \times 1$ _____ 60. $6 = y + 7$ _____

61. $9 = y + 3$ _____ 62. $63 = 9 \times y$ _____ 63. $16 = 4 \times y$ _____ 64. $18 = 2 \times y$ _____

65. $3 = 21 \div y$ _____ 66. $6 = 6 \div y$ _____ 67. $16 = y \times 2$ _____ 68. $3 = 18 \div y$ _____

69. $30 = 6 \times y$ _____ 70. $12 = y \times 3$ _____ 71. $8 = y + 5$ _____ 72. $8 = y \times 8$ _____

Name: _____

Class: _____

ALGEBRA

Solve for the variable.

1. $33 - 5y = 8$ _____ 2. $3 = 11 - 8y$ _____ 3. $7y - 7 = 28$ _____ 4. $9y - 7 = 56$ _____

5. $8y - 7 = 25$ _____ 6. $4y - 9 = 23$ _____ 7. $3y - 2 = 19$ _____ 8. $2 = 9 - 1y$ _____

9. $3 = 27 - 8y$ _____ 10. $9 = 15 - 3y$ _____ 11. $9 = 5y - 6$ _____ 12. $4 = 6y - 8$ _____

13. $4 = 29 - 5y$ _____ 14. $22 - 2y = 4$ _____ 15. $9 = 16 - 7y$ _____ 16. $41 - 7y = 6$ _____

17. $2 = 3y - 7$ _____ 18. $62 - 7y = 6$ _____ 19. $13 - 1y = 5$ _____ 20. $48 - 8y = 8$ _____

21. $3y - 7 = 2$ _____ 22. $17 = 3y - 4$ _____ 23. $2y - 4 = 2$ _____ 24. $3y - 8 = 1$ _____

25. $6y - 5 = 37$ _____ 26. $4 = 76 - 9y$ _____ 27. $5 = 25 - 4y$ _____ 28. $35 - 3y = 8$ _____

29. $13 - 6y = 1$ _____ 30. $9y - 8 = 28$ _____ 31. $29 = 6y - 7$ _____ 32. $8y - 5 = 43$ _____

33. $6 = 24 - 9y$ _____ 34. $9 - 1y = 0$ _____ 35. $21 = 8y - 3$ _____ 36. $8y - 4 = 60$ _____

37. $18 = 5y - 2$ _____ 38. $17 = 2y - 1$ _____ 39. $1 = 9 - 4y$ _____ 40. $4 = 31 - 9y$ _____

41. $9y - 4 = 5$ _____ 42. $5 = 77 - 8y$ _____ 43. $16 = 8y - 8$ _____ 44. $2 = 14 - 2y$ _____

45. $23 = 6y - 1$ _____ 46. $29 - 7y = 8$ _____ 47. $41 - 5y = 1$ _____ 48. $0 = 28 - 4y$ _____

49. $5y - 6 = 29$ _____ 50. $38 = 8y - 2$ _____ 51. $7 = 23 - 4y$ _____ 52. $1y - 4 = 1$ _____

53. $24 = 7y - 4$ _____ 54. $8 = 53 - 5y$ _____ 55. $8 = 7y - 6$ _____ 56. $35 - 8y = 3$ _____

57. $9 = 17 - 1y$ _____ 58. $5 = 33 - 4y$ _____ 59. $20 = 3y - 1$ _____ 60. $6 = 26 - 4y$ _____

61. $1 = 2y - 5$ _____ 62. $4 = 12 - 4y$ _____ 63. $3 = 66 - 7y$ _____ 64. $3 = 2y - 1$ _____

65. $7 = 88 - 9y$ _____ 66. $3 = 39 - 6y$ _____ 67. $2 = 56 - 9y$ _____ 68. $3 = 1y - 3$ _____

69. $5y - 1 = 29$ _____ 70. $3y - 9 = 3$ _____ 71. $3y - 2 = 16$ _____ 72. $3 - 3y = 0$ _____

Name: _____

Class: _____

ALGEBRA

Solve for the variable.

1. $1y + 8 = 17$ _____
2. $59 = 8y + 3$ _____
3. $54 = 9 + 9y$ _____
4. $2 + 8y = 34$ _____
5. $61 = 5 + 7y$ _____
6. $5y + 7 = 47$ _____
7. $9 = 8 + 1y$ _____
8. $7 = 3y + 1$ _____
9. $2y + 1 = 7$ _____
10. $4 + 4y = 16$ _____
11. $2y + 9 = 17$ _____
12. $4y + 7 = 15$ _____
13. $13 = 2y + 3$ _____
14. $7y + 4 = 60$ _____
15. $1 + 2y = 17$ _____
16. $35 = 8 + 9y$ _____
17. $1y + 8 = 16$ _____
18. $9 = 2y + 5$ _____
19. $46 = 6 + 8y$ _____
20. $18 = 4 + 7y$ _____
21. $14 = 4 + 2y$ _____
22. $7y + 2 = 9$ _____
23. $2y + 6 = 24$ _____
24. $9y + 7 = 16$ _____
25. $4 + 2y = 22$ _____
26. $8y + 5 = 37$ _____
27. $16 = 9 + 1y$ _____
28. $1 + 3y = 4$ _____
29. $54 = 7y + 5$ _____
30. $28 = 6y + 4$ _____
31. $7 + 5y = 22$ _____
32. $33 = 9 + 3y$ _____
33. $56 = 7 + 7y$ _____
34. $24 = 6 + 6y$ _____
35. $8y + 5 = 13$ _____
36. $6 + 4y = 22$ _____
37. $4y + 2 = 10$ _____
38. $2 + 1y = 10$ _____
39. $27 = 7 + 4y$ _____
40. $16 = 1y + 7$ _____
41. $3 + 6y = 21$ _____
42. $41 = 5 + 4y$ _____
43. $37 = 7 + 5y$ _____
44. $8 + 3y = 20$ _____
45. $8y + 4 = 60$ _____
46. $6y + 3 = 51$ _____
47. $19 = 3 + 4y$ _____
48. $64 = 1 + 7y$ _____
49. $52 = 8y + 4$ _____
50. $9 + 3y = 12$ _____
51. $7y + 7 = 35$ _____
52. $36 = 5y + 1$ _____
53. $3y + 3 = 21$ _____
54. $8 + 1y = 15$ _____
55. $37 = 2 + 7y$ _____
56. $4 + 3y = 7$ _____
57. $33 = 8 + 5y$ _____
58. $7y + 1 = 43$ _____
59. $8y + 3 = 75$ _____
60. $23 = 2 + 7y$ _____
61. $9y + 2 = 83$ _____
62. $8 + 4y = 16$ _____
63. $3y + 6 = 27$ _____
64. $18 = 1y + 9$ _____
65. $56 = 8 + 8y$ _____
66. $23 = 2 + 3y$ _____
67. $59 = 5 + 9y$ _____
68. $14 = 6 + 4y$ _____
69. $8y + 1 = 41$ _____
70. $1y + 5 = 10$ _____
71. $1 + 6y = 25$ _____
72. $8y + 2 = 50$ _____

Name: _____

Class: _____

Decimals

Find the quotient.

1. $22 \overline{) \$5.25}$

2. $62 \overline{) \$8.49}$

3. $88 \overline{) \$3.94}$

4. $81 \overline{) \$8.98}$

5. $11 \overline{) \$7.96}$

6. $24 \overline{) \$5.14}$

7. $34 \overline{) \$2.56}$

8. $63 \overline{) \$8.55}$

9. $70 \overline{) \$4.32}$

10. $43 \overline{) \$1.78}$

11. $52 \overline{) \$9.48}$

12. $33 \overline{) \$8.65}$

13. $63 \overline{) \$2.68}$

14. $39 \overline{) \$4.13}$

15. $32 \overline{) \$9.07}$

16. $71 \overline{) \$4.19}$

17. $72 \overline{) \$3.72}$

18. $78 \overline{) \$2.33}$

19. $32 \overline{) \$4.95}$

20. $58 \overline{) \$9.24}$

21. $40 \overline{) \$5.37}$

22. $69 \overline{) \$9.74}$

23. $45 \overline{) \$3.78}$

24. $18 \overline{) \$1.01}$

25. $51 \overline{) \$7.94}$

26. $76 \overline{) \$9.10}$

27. $49 \overline{) \$9.93}$

28. $99 \overline{) \$8.79}$

29. $61 \overline{) \$3.58}$

30. $75 \overline{) \$4.57}$

31. $60 \overline{) \$5.76}$

32. $57 \overline{) \$9.07}$

33. $79 \overline{) \$6.92}$

34. $52 \overline{) \$8.68}$

35. $17 \overline{) \$2.04}$

36. $21 \overline{) \$2.36}$

37. $58 \overline{) \$7.82}$

38. $64 \overline{) \$8.93}$

39. $27 \overline{) \$5.51}$

40. $81 \overline{) \$9.55}$

41. $33 \overline{) \$6.37}$

42. $49 \overline{) \$6.03}$

43. $65 \overline{) \$4.11}$

44. $87 \overline{) \$7.22}$

45. $23 \overline{) \$8.47}$

46. $87 \overline{) \$5.24}$

47. $27 \overline{) \$8.66}$

48. $93 \overline{) \$1.12}$

49. $50 \overline{) \$4.98}$

50. $57 \overline{) \$1.04}$

51. $57 \overline{) \$5.79}$

52. $71 \overline{) \$9.77}$

53. $80 \overline{) \$3.81}$

54. $50 \overline{) \$9.79}$

55. $33 \overline{) \$5.97}$

56. $19 \overline{) \$5.47}$

57. $63 \overline{) \$6.59}$

58. $34 \overline{) \$2.17}$

59. $51 \overline{) \$9.97}$

60. $14 \overline{) \$2.63}$

Name: _____

Class: _____

Decimals

Find the sum.

$$\begin{array}{r} 1. \quad 9.5 \\ + 7.5 \\ \hline \\ \hline \end{array}$$

$$\begin{array}{r} 2. \quad 29 \\ + 81 \\ \hline \\ \hline \end{array}$$

$$\begin{array}{r} 3. \quad 20 \\ + 31 \\ \hline \\ \hline \end{array}$$

$$\begin{array}{r} 4. \quad 4.0 \\ + 9.2 \\ \hline \\ \hline \end{array}$$

$$\begin{array}{r} 5. \quad 7.3 \\ + 7.5 \\ \hline \\ \hline \end{array}$$

$$\begin{array}{r} 6. \quad 81 \\ + 29 \\ \hline \\ \hline \end{array}$$

$$\begin{array}{r} 7. \quad 5.1 \\ + 8.8 \\ \hline \\ \hline \end{array}$$

$$\begin{array}{r} 8. \quad 1.3 \\ + 8.1 \\ \hline \\ \hline \end{array}$$

$$\begin{array}{r} 9. \quad 7.5 \\ + 8.9 \\ \hline \\ \hline \end{array}$$

$$\begin{array}{r} 10. \quad 6.0 \\ + 8.0 \\ \hline \\ \hline \end{array}$$

$$\begin{array}{r} 11. \quad 90 \\ + 77 \\ \hline \\ \hline \end{array}$$

$$\begin{array}{r} 12. \quad 3.2 \\ + 7.8 \\ \hline \\ \hline \end{array}$$

$$\begin{array}{r} 13. \quad 39 \\ + 18 \\ \hline \\ \hline \end{array}$$

$$\begin{array}{r} 14. \quad 1.5 \\ + 6.5 \\ \hline \\ \hline \end{array}$$

$$\begin{array}{r} 15. \quad 2.5 \\ + 8.3 \\ \hline \\ \hline \end{array}$$

Name: _____

Class: _____

Decimals

Find the difference.

| | | | | | | |
|--|--|--|--|--|--|--|
| 1. $\begin{array}{r} 0.97 \\ - 0.13 \\ \hline \end{array}$ | 2. $\begin{array}{r} 21 \\ - 19 \\ \hline \end{array}$ | 3. $\begin{array}{r} 0.70 \\ - 0.39 \\ \hline \end{array}$ | 4. $\begin{array}{r} 0.79 \\ - 0.17 \\ \hline \end{array}$ | 5. $\begin{array}{r} 0.26 \\ - 0.26 \\ \hline \end{array}$ | 6. $\begin{array}{r} 0.94 \\ - 0.48 \\ \hline \end{array}$ | 7. $\begin{array}{r} 0.52 \\ - 0.33 \\ \hline \end{array}$ |
|--|--|--|--|--|--|--|

| | | |
|--|--|---|
| 8. $\begin{array}{r} 0.99 \\ - 0.17 \\ \hline \end{array}$ | 9. $\begin{array}{r} 96 \\ - 42 \\ \hline \end{array}$ | 10. $\begin{array}{r} 0.79 \\ - 0.44 \\ \hline \end{array}$ |
|--|--|---|

Find the difference.

| | | | | | |
|---|---|---|---|---|---|
| 11. $\begin{array}{r} 0.049 \\ - 0.027 \\ \hline \end{array}$ | 12. $\begin{array}{r} 0.091 \\ - 0.029 \\ \hline \end{array}$ | 13. $\begin{array}{r} 0.035 \\ - 0.031 \\ \hline \end{array}$ | 14. $\begin{array}{r} 56 \\ - 18 \\ \hline \end{array}$ | 15. $\begin{array}{r} 0.053 \\ - 0.018 \\ \hline \end{array}$ | 16. $\begin{array}{r} 80 \\ - 25 \\ \hline \end{array}$ |
|---|---|---|---|---|---|

| | | | | | |
|---|---|---|---|---|---|
| 17. $\begin{array}{r} 0.067 \\ - 0.061 \\ \hline \end{array}$ | 18. $\begin{array}{r} 0.099 \\ - 0.021 \\ \hline \end{array}$ | 19. $\begin{array}{r} 74 \\ - 24 \\ \hline \end{array}$ | 20. $\begin{array}{r} 0.070 \\ - 0.049 \\ \hline \end{array}$ | 21. $\begin{array}{r} 86 \\ - 83 \\ \hline \end{array}$ | 22. $\begin{array}{r} 0.082 \\ - 0.073 \\ \hline \end{array}$ |
|---|---|---|---|---|---|

| | | | | | |
|---|---|---|---|---|---|
| 23. $\begin{array}{r} 89 \\ - 82 \\ \hline \end{array}$ | 24. $\begin{array}{r} 96 \\ - 32 \\ \hline \end{array}$ | 25. $\begin{array}{r} 0.091 \\ - 0.085 \\ \hline \end{array}$ | 26. $\begin{array}{r} 82 \\ - 63 \\ \hline \end{array}$ | 27. $\begin{array}{r} 55 \\ - 55 \\ \hline \end{array}$ | 28. $\begin{array}{r} 67 \\ - 26 \\ \hline \end{array}$ |
|---|---|---|---|---|---|

| | | | | | |
|---|---|---|---|---|---|
| 29. $\begin{array}{r} 78 \\ - 36 \\ \hline \end{array}$ | 30. $\begin{array}{r} 82 \\ - 32 \\ \hline \end{array}$ | 31. $\begin{array}{r} 59 \\ - 44 \\ \hline \end{array}$ | 32. $\begin{array}{r} 87 \\ - 54 \\ \hline \end{array}$ | 33. $\begin{array}{r} 0.074 \\ - 0.054 \\ \hline \end{array}$ | 34. $\begin{array}{r} 50 \\ - 34 \\ \hline \end{array}$ |
|---|---|---|---|---|---|

| | | | | | |
|---|---|---|---|---|---|
| 35. $\begin{array}{r} 31 \\ - 24 \\ \hline \end{array}$ | 36. $\begin{array}{r} 90 \\ - 74 \\ \hline \end{array}$ | 37. $\begin{array}{r} 0.060 \\ - 0.030 \\ \hline \end{array}$ | 38. $\begin{array}{r} 58 \\ - 21 \\ \hline \end{array}$ | 39. $\begin{array}{r} 36 \\ - 26 \\ \hline \end{array}$ | 40. $\begin{array}{r} 0.080 \\ - 0.022 \\ \hline \end{array}$ |
|---|---|---|---|---|---|

| | | | | | |
|---|---|---|---|---|---|
| 41. $\begin{array}{r} 75 \\ - 47 \\ \hline \end{array}$ | 42. $\begin{array}{r} 66 \\ - 64 \\ \hline \end{array}$ | 43. $\begin{array}{r} 0.045 \\ - 0.018 \\ \hline \end{array}$ | 44. $\begin{array}{r} 0.026 \\ - 0.025 \\ \hline \end{array}$ | 45. $\begin{array}{r} 0.072 \\ - 0.024 \\ \hline \end{array}$ | 46. $\begin{array}{r} 0.094 \\ - 0.068 \\ \hline \end{array}$ |
|---|---|---|---|---|---|

| | | | | | |
|---|---|---|---|---|---|
| 47. $\begin{array}{r} 95 \\ - 39 \\ \hline \end{array}$ | 48. $\begin{array}{r} 0.056 \\ - 0.014 \\ \hline \end{array}$ | 49. $\begin{array}{r} 0.098 \\ - 0.024 \\ \hline \end{array}$ | 50. $\begin{array}{r} 64 \\ - 14 \\ \hline \end{array}$ | 51. $\begin{array}{r} 0.094 \\ - 0.093 \\ \hline \end{array}$ | 52. $\begin{array}{r} 35 \\ - 22 \\ \hline \end{array}$ |
|---|---|---|---|---|---|

Name: _____

Class: _____

Decimals

Find the product.

$$\begin{array}{r} 1. \quad 67 \\ \times 37 \\ \hline \end{array}$$

$$\begin{array}{r} 2. \quad 45 \\ \times 64 \\ \hline \end{array}$$

$$\begin{array}{r} 3. \quad 0.80 \\ \times 14 \\ \hline \end{array}$$

$$\begin{array}{r} 4. \quad 0.62 \\ \times 79 \\ \hline \end{array}$$

$$\begin{array}{r} 5. \quad 40 \\ \times 80 \\ \hline \end{array}$$

$$\begin{array}{r} 6. \quad 74 \\ \times 22 \\ \hline \end{array}$$

$$\begin{array}{r} 7. \quad 46 \\ \times 75 \\ \hline \end{array}$$

$$\begin{array}{r} 8. \quad 40 \\ \times 16 \\ \hline \end{array}$$

$$\begin{array}{r} 9. \quad 0.91 \\ \times 78 \\ \hline \end{array}$$

$$\begin{array}{r} 10. \quad 26 \\ \times 80 \\ \hline \end{array}$$

$$\begin{array}{r} 11. \quad 44 \\ \times 39 \\ \hline \end{array}$$

$$\begin{array}{r} 12. \quad 0.38 \\ \times 66 \\ \hline \end{array}$$

$$\begin{array}{r} 13. \quad 0.78 \\ \times 78 \\ \hline \end{array}$$

$$\begin{array}{r} 14. \quad 0.70 \\ \times 69 \\ \hline \end{array}$$

$$\begin{array}{r} 15. \quad 48 \\ \times 65 \\ \hline \end{array}$$

$$\begin{array}{r} 16. \quad 0.58 \\ \times 36 \\ \hline \end{array}$$

$$\begin{array}{r} 17. \quad 72 \\ \times 38 \\ \hline \end{array}$$

$$\begin{array}{r} 18. \quad 41 \\ \times 20 \\ \hline \end{array}$$

$$\begin{array}{r} 19. \quad 90 \\ \times 91 \\ \hline \end{array}$$

$$\begin{array}{r} 20. \quad 0.52 \\ \times 72 \\ \hline \end{array}$$

$$\begin{array}{r} 21. \quad 88 \\ \times 21 \\ \hline \end{array}$$

$$\begin{array}{r} 22. \quad 0.35 \\ \times 86 \\ \hline \end{array}$$

$$\begin{array}{r} 23. \quad 0.82 \\ \times 34 \\ \hline \end{array}$$

$$\begin{array}{r} 24. \quad 0.81 \\ \times 21 \\ \hline \end{array}$$

$$\begin{array}{r} 25. \quad 32 \\ \times 47 \\ \hline \end{array}$$

$$\begin{array}{r} 26. \quad 37 \\ \times 14 \\ \hline \end{array}$$

$$\begin{array}{r} 27. \quad 41 \\ \times 88 \\ \hline \end{array}$$

$$\begin{array}{r} 28. \quad 74 \\ \times 38 \\ \hline \end{array}$$

$$\begin{array}{r} 29. \quad 0.98 \\ \times 78 \\ \hline \end{array}$$

$$\begin{array}{r} 30. \quad 86 \\ \times 12 \\ \hline \end{array}$$

$$\begin{array}{r} 31. \quad 0.43 \\ \times 91 \\ \hline \end{array}$$

$$\begin{array}{r} 32. \quad 41 \\ \times 75 \\ \hline \end{array}$$

$$\begin{array}{r} 33. \quad 32 \\ \times 49 \\ \hline \end{array}$$

$$\begin{array}{r} 34. \quad 49 \\ \times 18 \\ \hline \end{array}$$

$$\begin{array}{r} 35. \quad 44 \\ \times 31 \\ \hline \end{array}$$

$$\begin{array}{r} 36. \quad 0.25 \\ \times 99 \\ \hline \end{array}$$

$$\begin{array}{r} 37. \quad 0.36 \\ \times 52 \\ \hline \end{array}$$

$$\begin{array}{r} 38. \quad 0.91 \\ \times 34 \\ \hline \end{array}$$

$$\begin{array}{r} 39. \quad 0.14 \\ \times 51 \\ \hline \end{array}$$

$$\begin{array}{r} 40. \quad 0.83 \\ \times 54 \\ \hline \end{array}$$

$$\begin{array}{r} 41. \quad 0.96 \\ \times 60 \\ \hline \end{array}$$

$$\begin{array}{r} 42. \quad 47 \\ \times 11 \\ \hline \end{array}$$

$$\begin{array}{r} 43. \quad 0.37 \\ \times 54 \\ \hline \end{array}$$

$$\begin{array}{r} 44. \quad 93 \\ \times 82 \\ \hline \end{array}$$

$$\begin{array}{r} 45. \quad 0.63 \\ \times 13 \\ \hline \end{array}$$

$$\begin{array}{r} 46. \quad 21 \\ \times 22 \\ \hline \end{array}$$

$$\begin{array}{r} 47. \quad 15 \\ \times 49 \\ \hline \end{array}$$

$$\begin{array}{r} 48. \quad 39 \\ \times 96 \\ \hline \end{array}$$

$$\begin{array}{r} 49. \quad 78 \\ \times 60 \\ \hline \end{array}$$

$$\begin{array}{r} 50. \quad 0.64 \\ \times 43 \\ \hline \end{array}$$

$$\begin{array}{r} 51. \quad 84 \\ \times 73 \\ \hline \end{array}$$

$$\begin{array}{r} 52. \quad 0.75 \\ \times 11 \\ \hline \end{array}$$

$$\begin{array}{r} 53. \quad 32 \\ \times 37 \\ \hline \end{array}$$

$$\begin{array}{r} 54. \quad 77 \\ \times 88 \\ \hline \end{array}$$

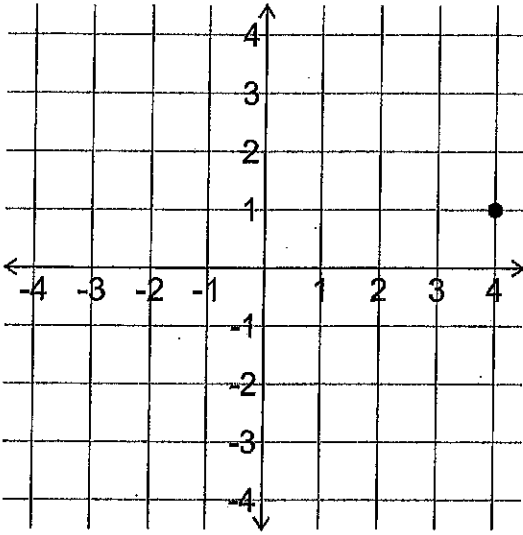
Name: _____

Class: _____

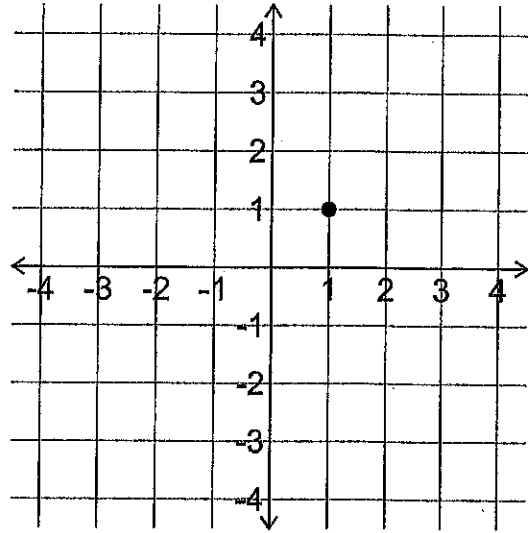
Coordinates

Provide the coordinates for each point.

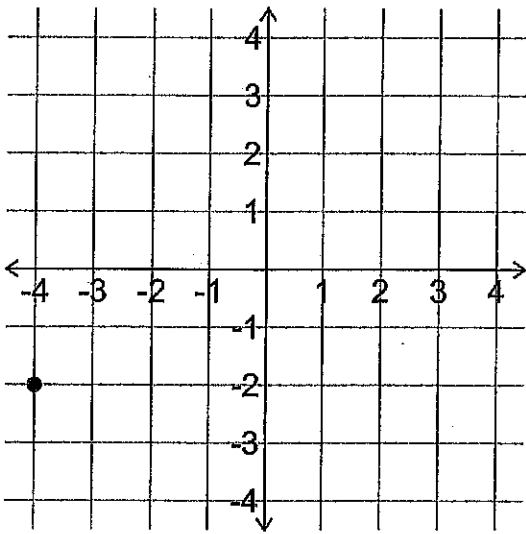
1.



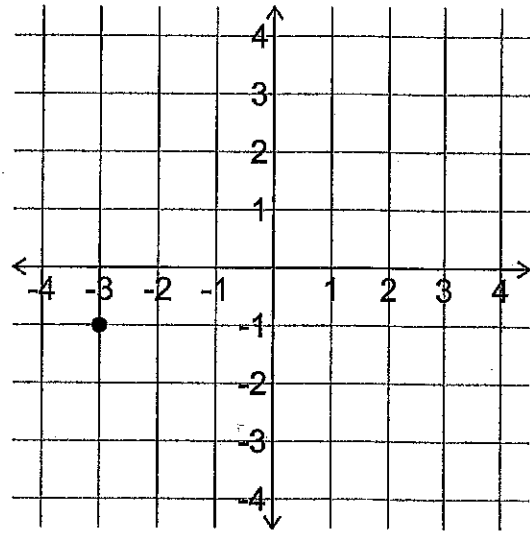
2.



3.



4.



Name: _____

Class: _____

Percent

Calculate the given percent of each value.

1. 11% of 3 = _____
2. 38% of 32 = _____
3. 16% of 420 = _____
4. 68% of 109 = _____
5. 41% of 98 = _____
6. 83% of 42 = _____
7. 46% of 93 = _____
8. 39% of 31 = _____
9. 21% of 20 = _____
10. 22% of 205 = _____
11. 24% of 87 = _____
12. 72% of 475 = _____
13. 71% of 9 = _____
14. 76% of 576 = _____
15. 10% of 880 = _____
16. 52% of 173 = _____
17. 72% of 66 = _____
18. 44% of 7 = _____
19. 38% of 21 = _____
20. 24% of 46 = _____
21. 61% of 88 = _____
22. 93% of 9 = _____
23. 65% of 70 = _____
24. 35% of 6 = _____
25. 79% of 7 = _____
26. 10% of 73 = _____
27. 85% of 40 = _____
28. 49% of 33 = _____
29. 37% of 27 = _____
30. 73% of 115 = _____
31. 11% of 47 = _____
32. 79% of 62 = _____
33. 59% of 5 = _____
34. 11% of 879 = _____
35. 38% of 661 = _____
36. 16% of 585 = _____
37. 68% of 350 = _____
38. 41% of 54 = _____
39. 83% of 93 = _____
40. 46% of 6 = _____
41. 39% of 236 = _____
42. 21% of 87 = _____
43. 22% of 25 = _____
44. 24% of 333 = _____
45. 72% of 9 = _____
46. 71% of 29 = _____
47. 76% of 4 = _____
48. 10% of 318 = _____
49. 52% of 76 = _____
50. 72% of 950 = _____
51. 44% of 390 = _____
52. 38% of 554 = _____
53. 24% of 861 = _____
54. 61% of 161 = _____

Name: _____

Class: _____

ALGEBRA

Solve for the variable.

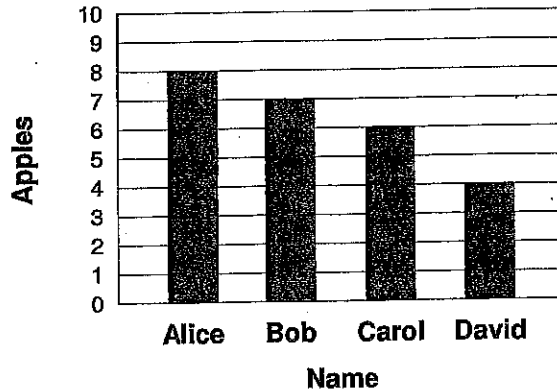
1. $18 = 9 + y$ _____
2. $12 = y + 7$ _____
3. $14 = 9 + y$ _____
4. $6 = y + 2$ _____
5. $3 = y + 1$ _____
6. $7 = y + 2$ _____
7. $6 = 3 + y$ _____
8. $7 = 3 + y$ _____
9. $7 = y + 5$ _____
10. $10 = y + 8$ _____
11. $9 = y + 5$ _____
12. $6 = y + 5$ _____
13. $8 = y + 3$ _____
14. $2 = y + 1$ _____
15. $9 = 1 + y$ _____
16. $12 = 4 + y$ _____
17. $4 = 2 + y$ _____
18. $9 = 2 + y$ _____
19. $7 = 1 + y$ _____
20. $17 = 9 + y$ _____
21. $5 = 2 + y$ _____
22. $9 = 8 + y$ _____
23. $16 = y + 7$ _____
24. $13 = 4 + y$ _____
25. $11 = y + 3$ _____
26. $10 = 7 + y$ _____
27. $12 = y + 5$ _____
28. $8 = 2 + y$ _____
29. $8 = 4 + y$ _____
30. $14 = y + 5$ _____
31. $8 = y + 1$ _____
32. $11 = 8 + y$ _____
33. $14 = 6 + y$ _____
34. $10 = 5 + y$ _____
35. $4 = 1 + y$ _____
36. $10 = 6 + y$ _____
37. $14 = 8 + y$ _____
38. $12 = y + 6$ _____
39. $16 = y + 9$ _____
40. $9 = 3 + y$ _____
41. $15 = y + 9$ _____
42. $12 = y + 3$ _____
43. $10 = 1 + y$ _____
44. $9 = y + 7$ _____
45. $13 = y + 7$ _____
46. $13 = y + 9$ _____
47. $8 = 6 + y$ _____
48. $16 = 8 + y$ _____
49. $13 = 5 + y$ _____
50. $11 = 4 + y$ _____
51. $6 = y + 1$ _____
52. $10 = 3 + y$ _____
53. $8 = y + 5$ _____
54. $13 = 6 + y$ _____
55. $3 = 2 + y$ _____
56. $10 = 9 + y$ _____
57. $15 = 7 + y$ _____
58. $13 = y + 8$ _____
59. $7 = y + 6$ _____
60. $8 = y + 7$ _____
61. $9 = 4 + y$ _____
62. $11 = y + 9$ _____
63. $11 = 6 + y$ _____
64. $5 = y + 1$ _____
65. $14 = y + 7$ _____
66. $11 = y + 7$ _____
67. $11 = y + 5$ _____
68. $15 = 8 + y$ _____
69. $12 = y + 9$ _____
70. $5 = 4 + y$ _____
71. $12 = y + 8$ _____
72. $9 = y + 6$ _____

Name: _____

Date: _____

Graphs

The graph to the right shows the number of apples picked by students visiting a farm. Use the information in the graph to answer the following questions:



1) How many fewer apples were picked by Bob than Alice?

2) How many fewer apples were picked by David than Bob?

3) How many apples were picked by Carol and Alice combined?

4) How many more apples were picked by Bob than Carol?

5) How many apples were picked by David and Carol combined?

6) How many apples were picked by Carol and David combined?

7) How many fewer apples were picked by Carol than Alice?

8) How many apples were picked by Bob and Alice combined?

Name: _____

Class: _____

ALGEBRA

Solve for the variable.

1. $1 + y = 10$ _____
2. $y + 9 = 14$ _____
3. $9 + y = 15$ _____
4. $y + 6 = 8$ _____
5. $4 + y = 8$ _____
6. $9 + y = 11$ _____
7. $7 + y = 11$ _____
8. $3 + y = 5$ _____
9. $y + 2 = 3$ _____
10. $4 + y = 13$ _____
11. $4 + y = 9$ _____
12. $6 + y = 9$ _____
13. $y + 9 = 10$ _____
14. $y + 6 = 12$ _____
15. $3 + y = 9$ _____
16. $y + 5 = 6$ _____
17. $y + 1 = 3$ _____
18. $5 + y = 14$ _____
19. $9 + y = 12$ _____
20. $1 + y = 4$ _____
21. $3 + y = 7$ _____
22. $y + 9 = 16$ _____
23. $3 + y = 6$ _____
24. $y + 1 = 7$ _____
25. $7 + y = 8$ _____
26. $5 + y = 11$ _____
27. $y + 7 = 13$ _____
28. $y + 2 = 8$ _____
29. $y + 1 = 9$ _____
30. $4 + y = 11$ _____
31. $8 + y = 9$ _____
32. $y + 2 = 11$ _____
33. $1 + y = 6$ _____
34. $y + 5 = 9$ _____
35. $2 + y = 6$ _____
36. $8 + y = 14$ _____
37. $y + 3 = 10$ _____
38. $5 + y = 8$ _____
39. $y + 8 = 15$ _____
40. $9 + y = 13$ _____
41. $2 + y = 10$ _____
42. $y + 1 = 5$ _____
43. $y + 4 = 12$ _____
44. $y + 3 = 8$ _____
45. $y + 7 = 15$ _____
46. $1 + y = 8$ _____
47. $y + 8 = 12$ _____
48. $9 + y = 18$ _____
49. $6 + y = 11$ _____
50. $y + 5 = 7$ _____
51. $y + 2 = 4$ _____
52. $y + 5 = 10$ _____
53. $y + 8 = 17$ _____
54. $y + 6 = 14$ _____
55. $4 + y = 10$ _____
56. $7 + y = 12$ _____
57. $y + 2 = 5$ _____
58. $y + 6 = 7$ _____
59. $y + 7 = 16$ _____
60. $7 + y = 14$ _____
61. $6 + y = 15$ _____
62. $y + 5 = 13$ _____
63. $1 + y = 2$ _____
64. $y + 4 = 7$ _____
65. $y + 3 = 11$ _____
66. $y + 8 = 13$ _____
67. $y + 2 = 7$ _____
68. $7 + y = 10$ _____
69. $y + 8 = 16$ _____
70. $6 + y = 10$ _____
71. $y + 3 = 4$ _____
72. $y + 6 = 13$ _____

Name: _____

Class: _____

ALGEBRA

Evaluate each expression when $y = 3$.

1. $1 - y =$ _____ 2. $7 + y =$ _____ 3. $4 + y =$ _____ 4. $2 - y =$ _____ 5. $y + 9 =$ _____

6. $y + 2 =$ _____ 7. $y + 4 =$ _____ 8. $y - 5 =$ _____ 9. $8 - y =$ _____ 10. $9 - y =$ _____

Evaluate each expression when $y = 9$.

11. $y - 9 =$ _____ 12. $7 + y =$ _____ 13. $y + 9 =$ _____ 14. $4 + y =$ _____ 15. $y - 1 =$ _____

16. $4 - y =$ _____ 17. $y + 7 =$ _____ 18. $6 - y =$ _____ 19. $3 - y =$ _____ 20. $5 - y =$ _____

Evaluate each expression when $y = 4$.

21. $y - 9 =$ _____ 22. $7 - y =$ _____ 23. $y + 8 =$ _____ 24. $9 + y =$ _____ 25. $6 - y =$ _____

26. $5 - y =$ _____ 27. $1 - y =$ _____ 28. $y + 7 =$ _____ 29. $8 + y =$ _____ 30. $2 - y =$ _____

Evaluate each expression when $y = 8$.

31. $y + 7 =$ _____ 32. $y - 1 =$ _____ 33. $y - 6 =$ _____ 34. $9 + y =$ _____ 35. $y + 6 =$ _____

36. $y + 3 =$ _____ 37. $y - 3 =$ _____ 38. $y + 9 =$ _____ 39. $y + 2 =$ _____ 40. $y - 8 =$ _____

Evaluate each expression when $y = 3$.

41. $y + 8 =$ _____ 42. $y - 1 =$ _____ 43. $y - 5 =$ _____ 44. $4 + y =$ _____ 45. $2 + y =$ _____

46. $y + 7 =$ _____ 47. $y + 6 =$ _____ 48. $y - 9 =$ _____ 49. $7 - y =$ _____ 50. $y + 5 =$ _____

Evaluate each expression when $y = 9$.

51. $y + 9 =$ _____ 52. $y - 1 =$ _____ 53. $2 + y =$ _____ 54. $2 - y =$ _____ 55. $y - 9 =$ _____

56. $y - 5 =$ _____ 57. $8 + y =$ _____ 58. $y - 3 =$ _____ 59. $y + 5 =$ _____ 60. $y - 8 =$ _____

Evaluate each expression when $y = 5$.

61. $8 - y =$ _____ 62. $9 - y =$ _____ 63. $1 + y =$ _____ 64. $9 + y =$ _____ 65. $7 - y =$ _____

66. $6 - y =$ _____ 67. $5 - y =$ _____ 68. $1 - y =$ _____ 69. $5 + y =$ _____ 70. $3 - y =$ _____